

# Smart Valve Positioner ( remote type )

# SS2 Linear / Rotary

## How to Order

# SS2

Actuator  
Operation

Protection  
Class

Feedback  
Lever

Pressure  
Gauges

By-pass

Position  
Feedback

Communi-  
-cation

Connection  
Threads

Mounting  
Bracket

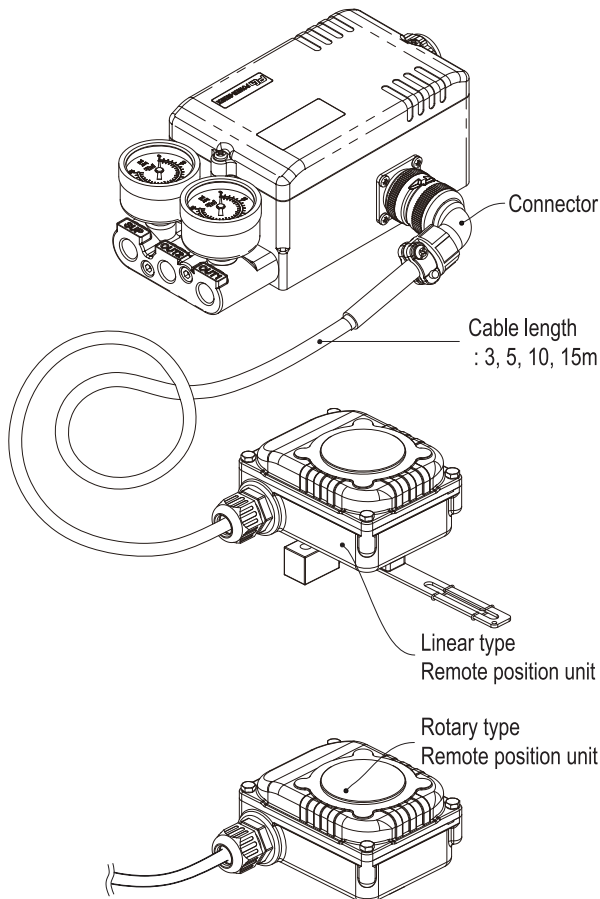
Feedback Pin  
Guide Lever  
Set

Cable  
Length

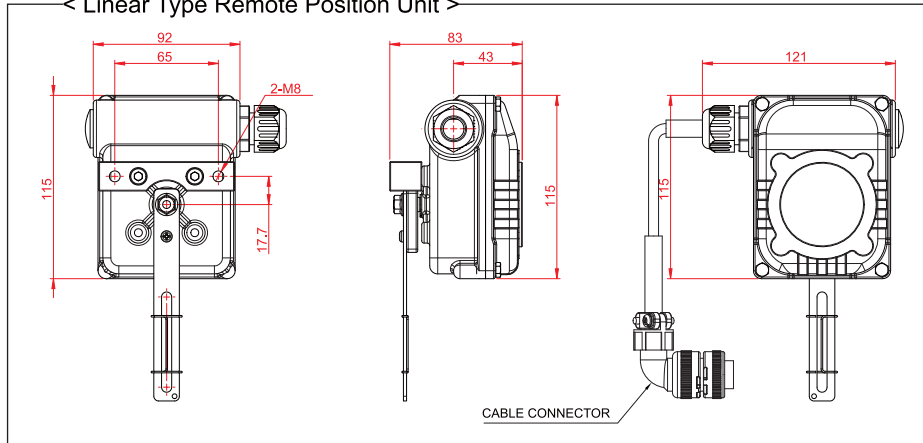
Description	Code
Cable Length :	3 : 3 m 5 : 5 m 10 : 10 m 15 : 15 m * Other on request

\* Please see "How to Order" on page 13 to select more options.

## Dimensions



< Linear Type Remote Position Unit >



< Rotary Type Remote Position Unit >

