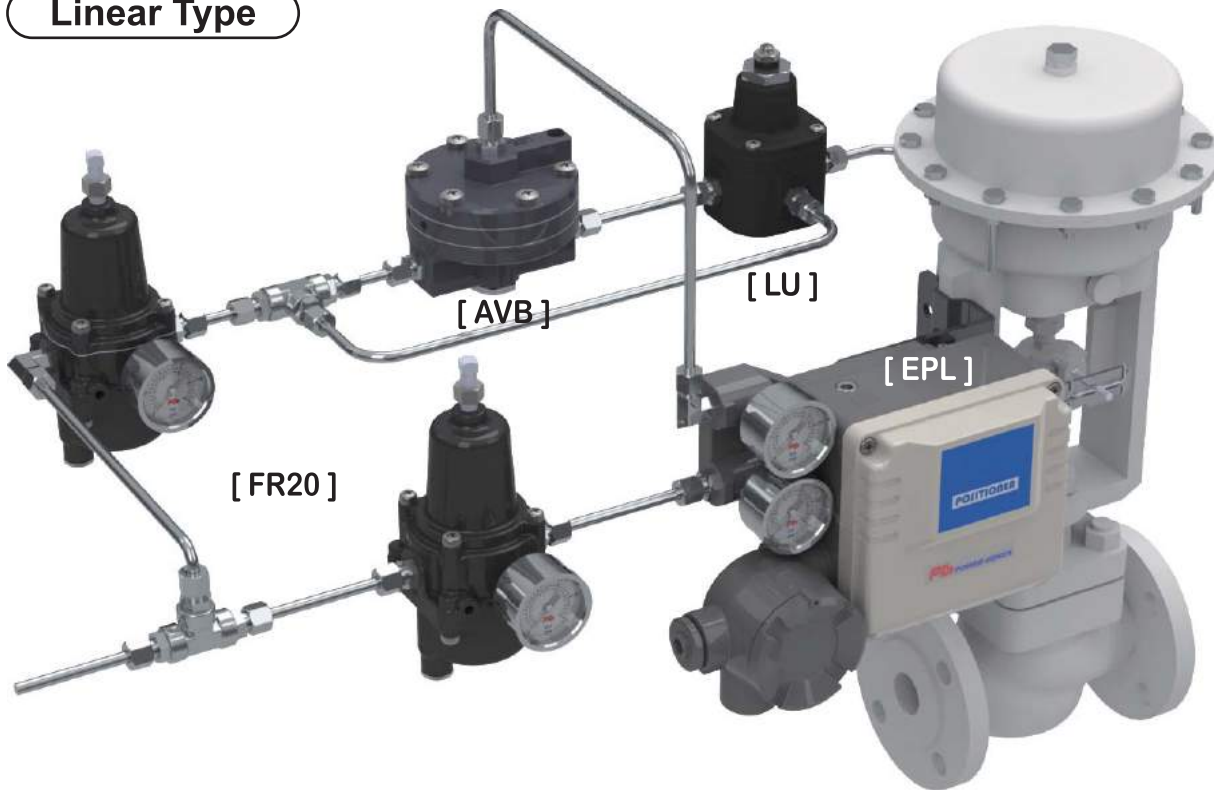
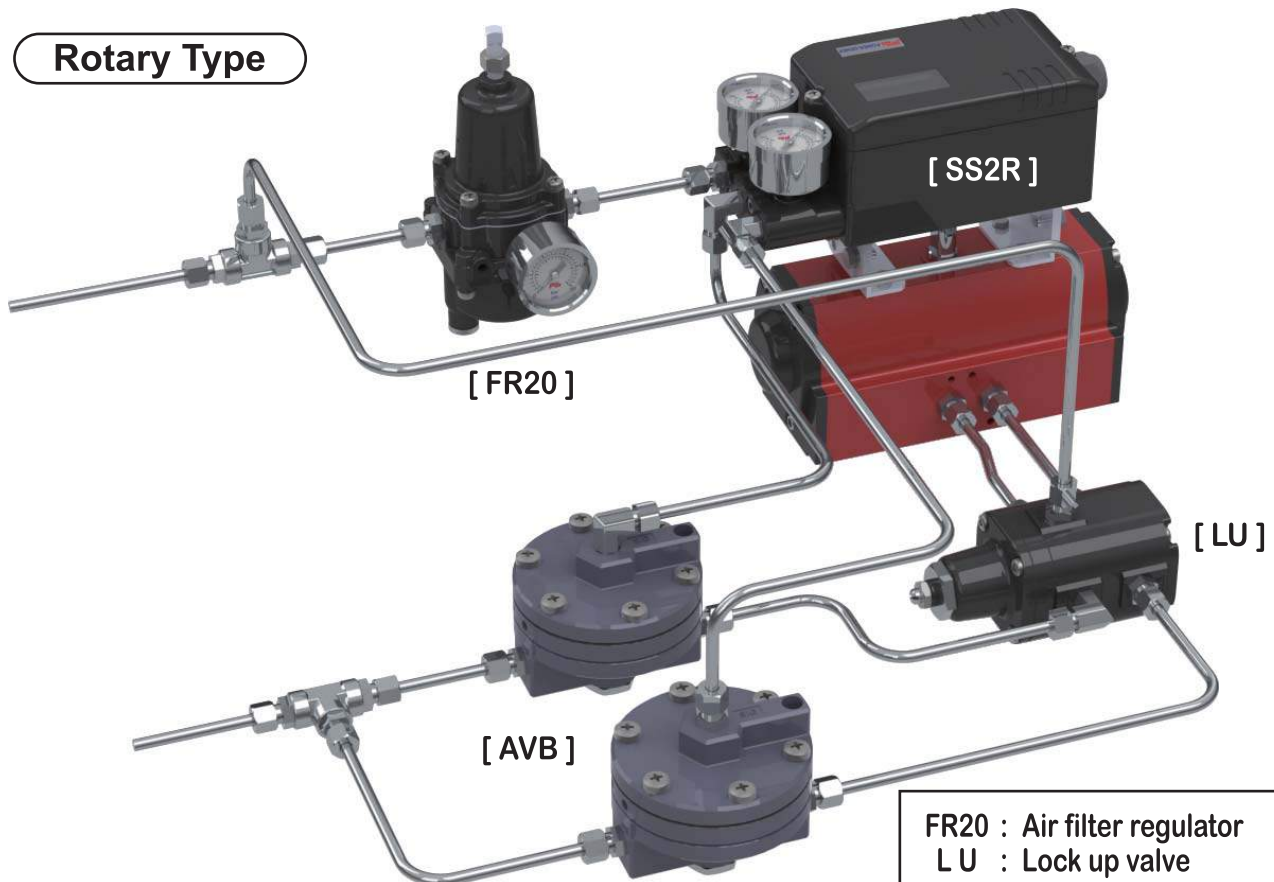


Installations of Valve Accessories

Linear Type



Rotary Type



FR20 : Air filter regulator
 L U : Lock up valve
 AVB : Air volume booster
 E P : Electro-pneumatic positioner
 SS2 : Smart valve positioner