



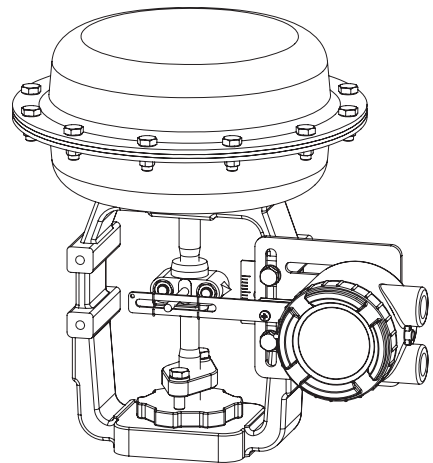
**Explosion proof position transmitter for reliable valve position feedback with 4-20mA output signal**

### Features

- ▶ Rugged aluminum die-cast housing
- ▶ Optional 2 x SPDT limit switch or 2 x P&F proximity sensor NJ2-V3-N

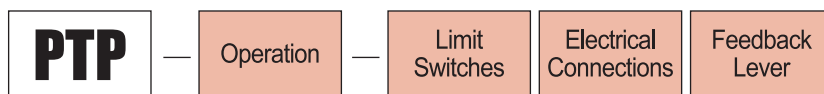
### Specifications

Model	PTP-L	PTP-R
Current Output Signal	4 - 20 mA, 2-wire	
Power Supply Range	12 - 30 VDC (24VDC recommendable)	
Span Adjustable Angle	10° - 45°	0° - 90°
Linearity	Within $\pm 1.0\%$ F.S.	
Repeatability	Within $\pm 0.25\%$ F.S.	
Hysteresis	Within 1.0% F.S.	
Operating Ambient Temperature	- 30 °C ~ +75 °C	
Explosion Proof Class	Ex d IIC T6	
Protection Class	IP66	
Electrical Connections	PF(G) 1/2 or NPT 1/2	
Weight	0.9 kg	

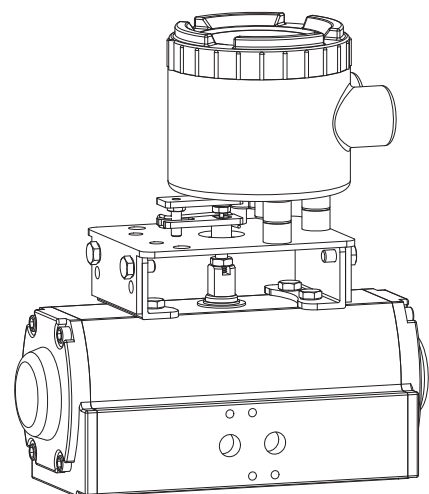


**PTP-L Mounting to Globe Control Valve**

### How to Order



Description	Code
<b>Operation :</b>	L : Linear type R : Rotary type
<b>Limit Switches:</b>	N : None S : 2 x SPDT mechanical limit switch P : 2 x P&F proximity sensor NJ2-V3-N
<b>Electrical Connections:</b>	1 : PF(G) 1/2 2 : NPT 1/2
<b>Feedback Lever:</b> (only for linear type)	A : Stroke 10 - 40mm B : Stroke 10 - 80mm C : Stroke 80 - 150mm

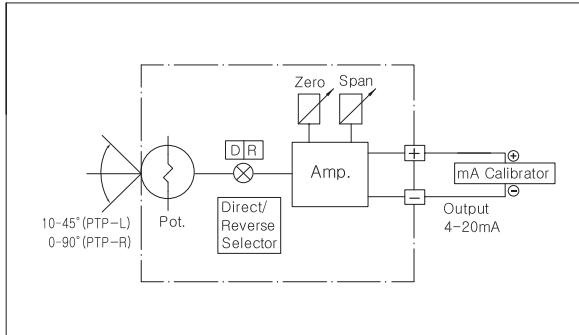


**PTP-R Mounting to Pneumatic Rotary Actuator**

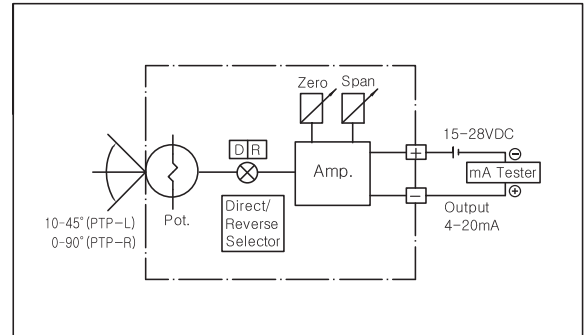
Ex) PTP-L-S1A (linear type, 2 x SPDT, G 1/2, 10-40mm stroke)

## Measuring 4–20mA Output Signal

1) with mA calibrator

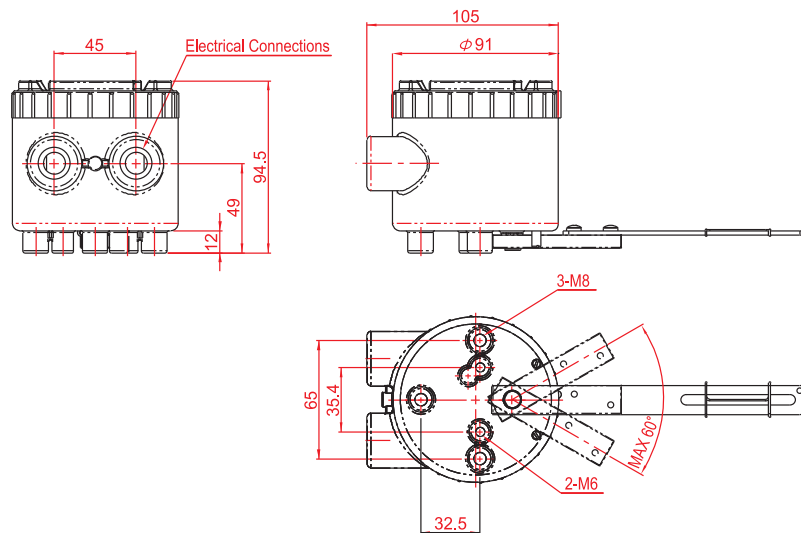


2) with multimeter



## Dimensions

### PTP-L (linear type)



### PTP-R (rotary type)

